

# Technical Data Sheet

CODE 17007

## VORTICE LINEO 200 Q V0

Классификация: «V» «V» «V» «V» «V»



«V» «V» «V» «V» «V»



IMQ Performance



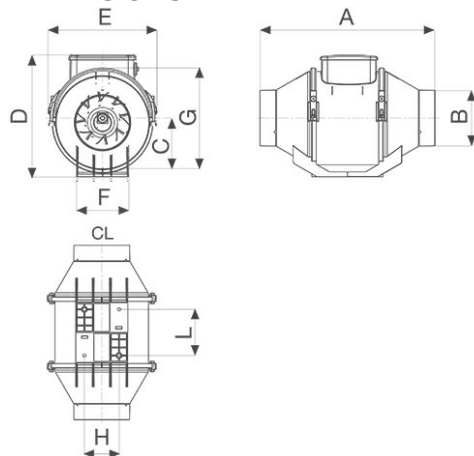
C Tick Mark



### TECHNICAL AND PERFORMANCE DATA

Absorbed power 1st speed (W)	45	Delivery 1st speed (m <sup>3</sup> /h)	700
Frequency (Hz)	50	Max delivery at max speed (l/s)	263,9
Insulation Class	II <sup>°</sup>	Max delivery at max speed (m <sup>3</sup> /h)	950
IP	44	Pressure - 1st speed (mmH2O)	13
Max ambient temperature for continuous operation (°C)	60	Pressure - 1st speed (Pa)	127,5
Max. absorbed Current at max. speed (A)	0,37	Pressure max - max speed (mmH2O)	29
Max. absorbed Current at min. speed (A)	0,22	Pressure max - max speed (Pa)	284,5
Max. absorbed power at max speed (W)	75	RPM max	2740
Voltage (V)	220-240	RPM min	1780
Weight (Kg)	4,3	Sound pressure level Lp [dB (A)] 3m - max speed	49,0
Delivery 1st speed (l/s)	194,4	Sound pressure level Lp [dB (A)] 3m - min speed	39,6

### DIMENSIONS



Etichetta Energetica	NO
Size A (mm)	234,5
Size B (mm)	260,5
Size C (mm)	300
Size D (mm)	196
Size E (mm)	125,5
Size F (mm)	235
Size G (mm)	140
Size H (mm)	94
Size L (mm)	100
Size M (mm)	6

#### PER INFORMAZIONI:

Servizio al Cliente: tel +39 02 90699395 premendo 1 dopo messaggio registrato (consulenza su prodotti e impianti)

Pre & Post Vendita: fax +39 02 90699302

Email prevendita: [prevendita@vortice-italy.com](mailto:prevendita@vortice-italy.com)

# Technical Data Sheet

CODE 17007

## VORTICE LINEO 200 Q V0

Классификация: «Искусственный»

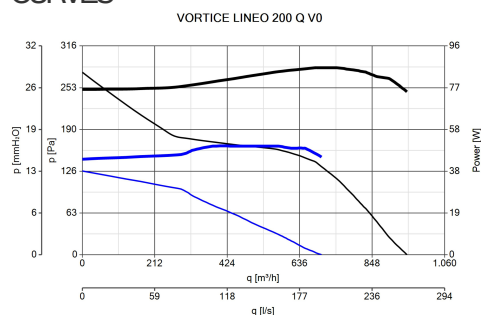


### DESCRIPTION

- Material: self-extinguishing plastic resin (self-extinguishing capability V0)
- Nominal diameter 200 mm.
- 2 speed AC motor with thermal overload cutout and shaft turning in

- Vortice speed controllers.

### CURVES



### ACCESSORIES



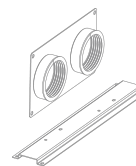
TRA 250  
(TELAIO CON  
RETE ANTINF.)  
Code 51150



DUO  
Code 22914



LINEO-G 200  
Code 22705



LINEO-PF 200  
Code 22582

#### PER INFORMAZIONI:

Servizio al Cliente: tel +39 02 90699395 premendo 1 dopo messaggio registrato (consulenza su prodotti e impianti)  
Pre & Post Vendita: fax +39 02 90699302  
Email prevendita: prevendita@vortice-italy.com