

Technical Data Sheet

CODE 30309

C31/4T ATEX II 2G/D H
T3/125°C X GB/DB



Centrifugal fans for installation in
potentially explosive areas



æŠ-“ñŸß-“ÛÎ

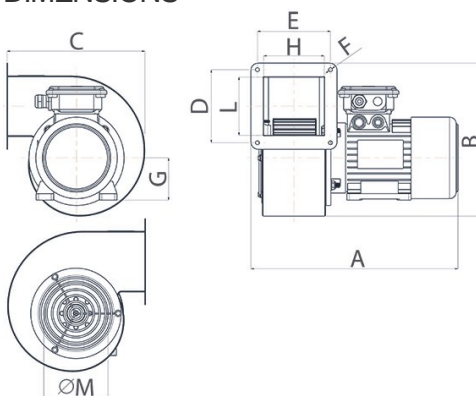
CE ATEX-CE

EAC EAC

TECHNICAL AND PERFORMANCE DATA

Absorbed Current max (A)	1,01	Number of speeds	1
Absorbed Power max (W)	375	Voltage (V)	400
Frequency (Hz)	50	Weight (Kg)	10,5
Insulation Class	1°	Delivery max (l/s)	311,1
IP	65	Delivery max (m³/h)	1120
Max ambient temperature for continuous operation (°C)	+ 40	Pressure max (mmH2O)	31
Min ambient temperature for continuous operation (°C)	- 20	Pressure max (Pa)	304
Number of Phases (Ph)	3	RPM	1400
Number of Poles	4	Sound Pressure level Lp [dB (A)] 3m	61

DIMENSIONS



Dimensione Q (mm)	136
Dimensione R (mm)	90
Size A (mm)	365
Size B (mm)	400
Size C (mm)	340
Size D (mm)	164
Size E (mm)	139
Size F (mm)	8,5
Size G (mm)	71
Size H (mm)	112
Size L (mm)	137
Size M (mm)	170
Size N (mm)	190
Size O (mm)	165
Size P (mm)	112
Size S (mm)	108

PER INFORMAZIONI:

Servizio al Cliente: tel +39 02 90699395 premendo 1 dopo messaggio registrato (consulenza su prodotti e impianti)

Pre & Post Vendita: fax +39 02 90699302

Email prevendita: prevendita@vortice-italy.com

Technical Data Sheet

CODE 30309

C31/4T ATEX II 2G/D H T3/125°C X GB/DB



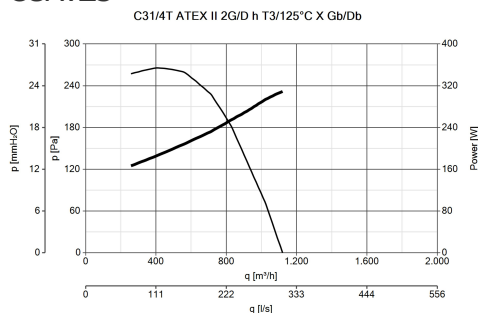
Centrifugal fans for installation in potentially explosive areas

DESCRIPTION

- Scroll made of pressed steel, pickled and phosphated, and treated by applying a coat of polyurethane powder paint strengthened by oven baking. Scroll housings drilled with holes to allow repositioning of the outlet port (LG90).
- Inlet port made of copper.
- Mesh grille on inlet port made of steel wire, zinc-coated, pickled and phosphated, epoxy powder coated and baked in oven, colour black.
- 1 speed three-phase AC motor with shaft turning in double shielded employing methods and materials suitable for use in environments

- with potentially explosive atmospheres, according to Explosion Protection standards EN ISO 80079-36:2016; EN 14986:2017.
- Centrifugal impeller made of aluminium, with forward blades and diecast aluminium hub.
- Aluminium cooling fan
- Pressed steel motor cover.
- Metal cable gland for electrical connection.
- Wiring box enclosure rating IP65.
- K u y k e s - r a e j » U S « I B S a e l y B - S » a e a % u « U j f » a e - U « S a e l a e U » gas and dust:
- IMQ 10 ATEX 029 X; GR II cat. 2G/D h T3/125 X

CURVES



ACCESSORIES



C-RA 31/35
ATEX(RACCORDO
DI
ASPIRAZIONE)
Code 21035



GV2 ME06
Code 21115

PER INFORMAZIONI:

Servizio al Cliente: tel +39 02 90699395 premando 1 dopo messaggio registrato (consulenza su prodotti e impianti)
Pre & Post Vendita: fax +39 02 90699302
Email prevendita: prevendita@vortice-italy.com