

Technical Data Sheet

CODE 11122

MF 90/3,5"

Wall axial fans



Certifications



IMQ



CE



IMQ Performance



CCC



EAC

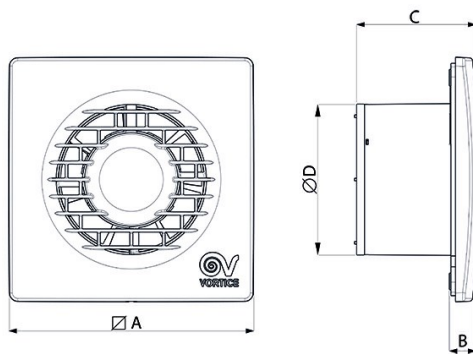


G-Mark

TECHNICAL AND PERFORMANCE DATA

Absorbed Current max (A)	0,08	Voltage (V)	220-240
Absorbed Power max (W)	14	Weight (Kg)	0,50
Frequency (Hz)	50	Delivery max (l/s)	18
Insulation Class	II°	Delivery max (m ³ /h)	65
IP	X4	giri_minuto	2500
Max ambient temperature for continuous operation (°C)	50	Pressure max (mmH2O)	2,5
Nominal Diameter (mm)	90	Pressure max (Pa)	25
Ø Discharge Hole (mm)	92,5	RPM	2500
		Sound Pressure level Lp [dB (A)] 3m	28,8

DIMENSIONS



Size A (mm)	159
Size B (mm)	17
Size C (mm)	77
Size D (mm)	92,5

PER INFORMAZIONI:

Servizio al Cliente: tel +39 02 90699395 premendo 1 dopo messaggio registrato (consulenza su prodotti e impianti)

Pre & Post Vendita: fax +39 02 90699302

Email prevendita: prevendita@vortice-italy.com

Technical Data Sheet

CODE 11122

MF 90/3,5"

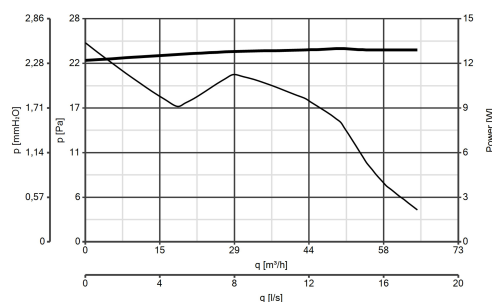
Wall axial fans



DESCRIPTION

- Material: UV resistant plastic (prevents ageing caused by exposure to sunlight).
- Nominal diameter 90 mm.
- Motor protected against thermal overload, with shaft turning in self-lubricating bushings, coupled to screw type thermoplastic impeller with wing profile blades.
- Maximum air flow: 65 m³/h.
- Non-return damper fitted to outlet port.
- IMQ SAFETY and IMQ PERFORMANCE certifications.
- Vortice speed controller.

CURVES



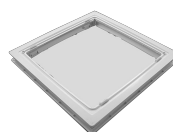
ACCESSORIES



C 1.5
(COMANDO EL.
1.5 A)
Code 12966



KIT SCB
(TRASF.E.C.)
Code 22481



SF 90-100
Code 22162

PER INFORMAZIONI:

Servizio al Cliente: tel +39 02 90699395 premendo 1 dopo messaggio registrato (consulenza su prodotti e impianti)
Pre & Post Vendita: fax +39 02 90699302
Email prevendita: prevendita@vortice-italy.com