

# Technical Data Sheet

CODE 11131

MF 100/4" LL

Wall axial fans



IMQ



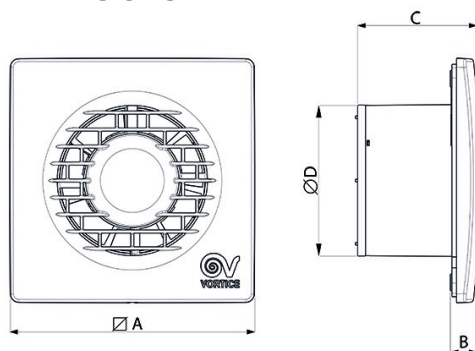
IMQ Performance



## TECHNICAL AND PERFORMANCE DATA

|   |      |                                     |         |
|---|------|-------------------------------------|---------|
| Absorbed Current max (A)                              | 0,09 | Voltage (V)                         | 220-240 |
| Absorbed Power max (W)                                | 15   | Weight (Kg)                         | 0,52    |
| Frequency (Hz)  | 50   | Delivery max (l/s)                  | 24      |
| Insulation Class                                      | II°  | Delivery max (m³/h)                 | 85      |
| IP  | X4   | Pressure max (mmH2O)                | 3       |
| Max ambient temperature for continuous operation (°C) | 50   | Pressure max (Pa)                   | 29      |
| Nominal Diameter (mm)                                 | 100  | RPM                                 | 2400    |
|   |      | Sound Pressure level Lp [dB (A)] 3m | 31      |

## DIMENSIONS



|             |     |
|-------------|-----|
| Size A (mm) | 159 |
| Size B (mm) | 17  |
| Size C (mm) | 77  |
| Size D (mm) | 98  |

### PER INFORMAZIONI:

Servizio al Cliente: tel +39 02 90699395 premendo 1 dopo messaggio registrato (consulenza su prodotti e impianti)

Pre & Post Vendita: fax +39 02 90699302

Email prevendita: [prevendita@vortice-italy.com](mailto:prevendita@vortice-italy.com)

# Technical Data Sheet

CODE 11131

## MF 100/4" LL

Wall axial fans

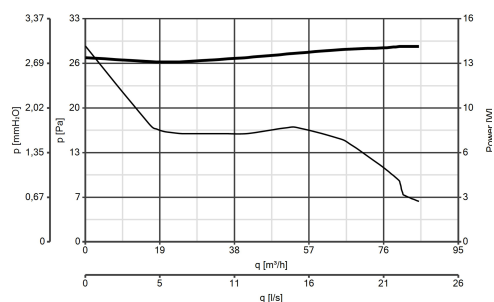


### DESCRIPTION

- Material: UV resistant plastic (prevents ageing caused by exposure to sunlight).
- Nominal diameter 100 mm.
- Motor protected against thermal overload, with shaft turning in ball bearings, coupled to screw type thermoplastic impeller with wing

- Vortice speed controller.

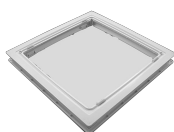
### CURVES



### ACCESSORIES



**C.15**  
**(COMANDO EL.**  
**1.5 A)**  
Code 12966



**SF 90-100**  
Code 22162



**KIT SCB**  
**(TRASF.E.C.)**  
Code 22481

#### PER INFORMAZIONI:

Servizio al Cliente: tel +39 02 90699395 premendo 1 dopo messaggio registrato (consulenza su prodotti e impianti)  
Pre & Post Vendita: fax +39 02 90699302  
Email prevendita: [prevendita@vortice-italy.com](mailto:prevendita@vortice-italy.com)