

Technical Data Sheet

CODE 11261

ME 100/4" LL TP

Wall axial fans



Certifications



IMQ



CE



IMQ Performance



VDE

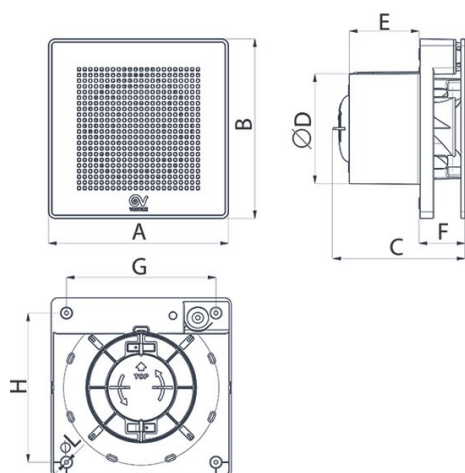


EAC

TECHNICAL AND PERFORMANCE DATA

Absorbed power 1st speed (W)	5	Delivery 1st speed (m ³ /h)	65
Frequency (Hz)	50	Max delivery at max speed (l/s)	26,4
Insulation Class	II ^o	Max delivery at max speed (m ³ /h)	95
IP	45	Pressure - 1st speed (mmH2O)	2,5
Max ambient temperature for continuous operation (°C)	50	Pressure - 1st speed (Pa)	24,52
Max. absorbed Current at max. speed (A)	0,052	Pressure max - max speed (mmH2O)	4,7
Max. absorbed Current at min. speed (A)	0,039	Pressure max - max speed (Pa)	46,09
Max. absorbed power at max speed (W)	9	RPM max	2240
Nominal Diameter (mm)	100	RPM min	1700
Voltage (V)	220-240	Sound power Lw [dB(A)] - min speed	41,3
Weight (Kg)	0,6	Sound power Lw [dB(A)] - max speed	47,4
Delivery 1st speed (l/s)	18,1	Sound pressure level Lp in free field [dB(A)] 3 m max speed	26,9
		Sound pressure level Lp in free field [dB(A)] 3 m min speed	20,8

DIMENSIONS



Size A (mm)	159
Size B (mm)	159
Size C (mm)	116,5
Size D (mm)	∅ 98
Size E (mm)	61,5
Size F (mm)	40,5
Size G (mm)	132
Size H (mm)	132
Size L (mm)	∅ 3,5

PER INFORMAZIONI:

Servizio al Cliente: tel +39 02 90699395 premendo 1 dopo messaggio registrato (consulenza su prodotti e impianti)

Pre & Post Vendita: fax +39 02 90699302

Email prevendita: prevendita@vortice-italy.com

Technical Data Sheet

CODE 11261

ME 100/4" LL TP

Wall axial fans

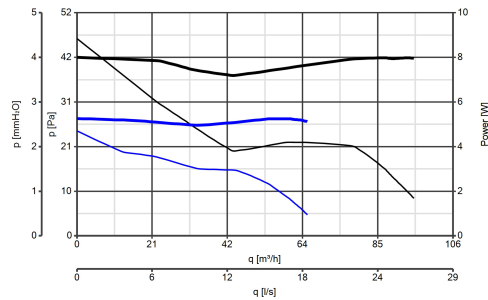


DESCRIPTION

- Material: UV resistant white plastic (prevents ageing caused by exposure to sunlight).
- Nominal diameter 100 mm.
- Motor protected against thermal overload, with shaft turning in ball bearings; 2 operating speeds controlled electronically from pcb.
- Air flow between 65 m³/h and 95 m³/h.
- Version with advanced timer: the appliance is equipped with a pcb allowing delayed switch-on and/or switch-off at the minimum or

- maximum speed. The length of the delay preceding switch-on and switch-off can be set during installation, as also can the operating speed of the fan. In addition, the appliance can run automatic switch-on cycles.
- Equipped with non-return damper preventing unwanted backdraught when the fan is off.
- IMQ safety certification.

CURVES



PER INFORMAZIONI:

Servizio al Cliente: tel +39 02 90699395 premendo 1 dopo messaggio registrato (consulenza su prodotti e impianti)

Pre & Post Vendita: fax +39 02 90699302

Email prevendita: prevendita@vortice-italy.com