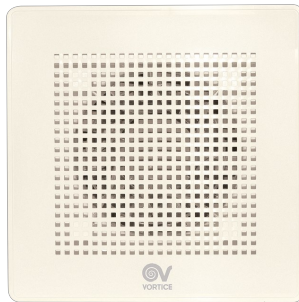


Technical Data Sheet

CODE 11263

ME 100/4" LL T PIR

Wall axial fans



Certifications



IMQ



CE



IMQ Performance



VDE

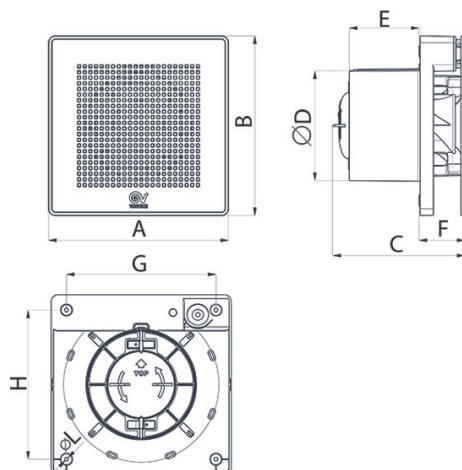


EAC

TECHNICAL AND PERFORMANCE DATA

| | | | |
|---|-----------------|---|-------|
| Absorbed power 1st speed (W) | 5 | Delivery 1st speed (m ³ /h) | 65 |
| Frequency (Hz) | 50 | Max delivery at max speed (l/s) | 26,4 |
| Insulation Class | II ^o | Max delivery at max speed (m ³ /h) | 95 |
| IP | 45 | Pressure - 1st speed (mmH2O) | 2,5 |
| Max ambient temperature for continuous operation (°C) | 50 | Pressure - 1st speed (Pa) | 24,52 |
| Max. absorbed Current at max. speed (A) | 0,052 | Pressure max - max speed (mmH2O) | 4,7 |
| Max. absorbed Current at min. speed (A) | 0,039 | Pressure max - max speed (Pa) | 46,09 |
| Max. absorbed power at max speed (W) | 9 | RPM max | 2240 |
| Nominal Diameter (mm) | 100 | RPM min | 1700 |
| Voltage (V) | 220-240 | Sound power Lw [dB(A)] - min speed | 41,3 |
| Weight (Kg) | 0,6 | Sound power Lw [dB(A)] - max speed | 47,4 |
| Delivery 1st speed (l/s) | 18,1 | Sound pressure level Lp in free field [dB(A)] 3 m max speed | 26,9 |
| | | Sound pressure level Lp in free field [dB(A)] 3 m min speed | 20,8 |

DIMENSIONS



| | |
|-------------|-------|
| Size A (mm) | 159 |
| Size B (mm) | 159 |
| Size C (mm) | 118 |
| Size D (mm) | ∅ 98 |
| Size E (mm) | 61,5 |
| Size F (mm) | 40,5 |
| Size G (mm) | 132 |
| Size H (mm) | 132 |
| Size L (mm) | ∅ 3,5 |
| Size M (mm) | 42 |

PER INFORMAZIONI:

Servizio al Cliente: tel +39 02 90699395 premendo 1 dopo messaggio registrato (consulenza su prodotti e impianti)

Pre & Post Vendita: fax +39 02 90699302

Email prevendita: prevendita@vortice-italy.com

Technical Data Sheet

CODE 11263

ME 100/4" LL T PIR

Wall axial fans

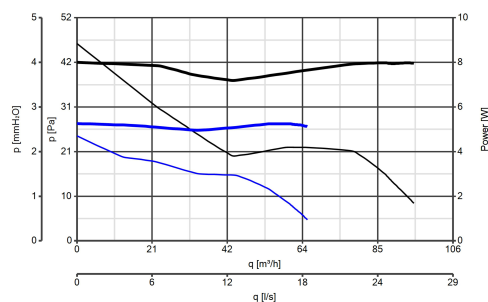


DESCRIPTION

- Material: UV resistant white plastic (prevents ageing caused by exposure to sunlight).
- Nominal diameter 100 mm.
- Motor protected against thermal overload, with shaft turning in ball bearings; 2 operating speeds controlled electronically from pcb.
- Air flow between 65 m³/h and 95 m³/h.
- Version with simplified timer, operating at one speed min or max, and PIR presence detector: the appliance is equipped with a pcb

- incorporating a PIR sensor that will activate the fan automatically on detecting a presence in the room; the pcb also provides a delayed switch-off function. The length of the switch-off delay, as well as the single operating speed, min or max, can be set during installation.
- Equipped with non-return damper preventing unwanted backdraught when the fan is off.
- IMQ safety certification.

CURVES



PER INFORMAZIONI:

Servizio al Cliente: tel +39 02 90699395 premendo 1 dopo messaggio registrato (consulenza su prodotti e impianti)

Pre & Post Vendita: fax +39 02 90699302

Email prevendita: prevendita@vortice-italy.com